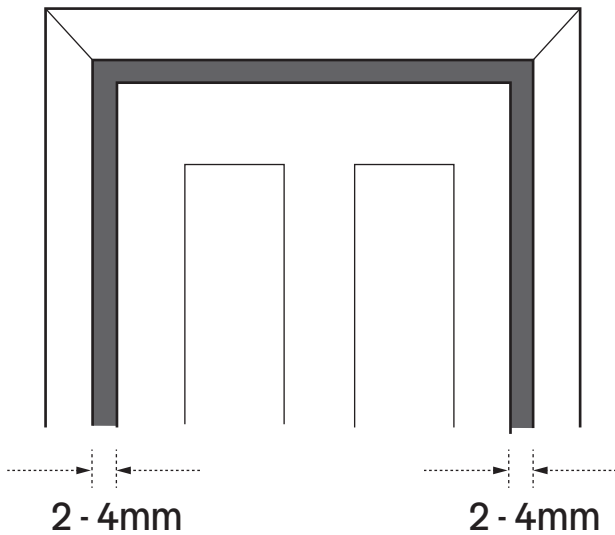


Door to Frame Gap

Fire Doors

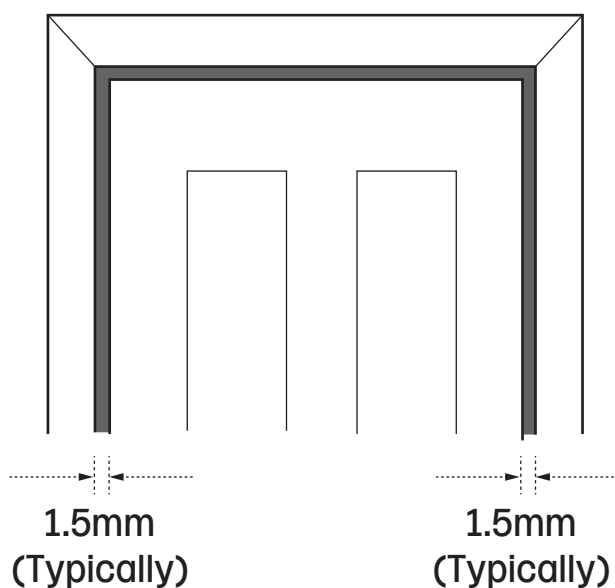
DTFGLE01

Required door to frame gap
once installed



Howdens trenched fire doors linings are designed to give a narrow door to frame gap (typically 1.5mm), than what would be needed after installation. This provides the installer with the opportunity to trim the door to achieve the required 2 - 4mm gap. This avoids any possibility of the gap ever being too big and limits the opportunity to install non-compliant fire door sets.

Approximate door to frame gap
before any further works



On larger jobs involving multiple fire doors, when the installer would prefer not to have to trim the doors, we offer the option of an untrenched fire door casing.